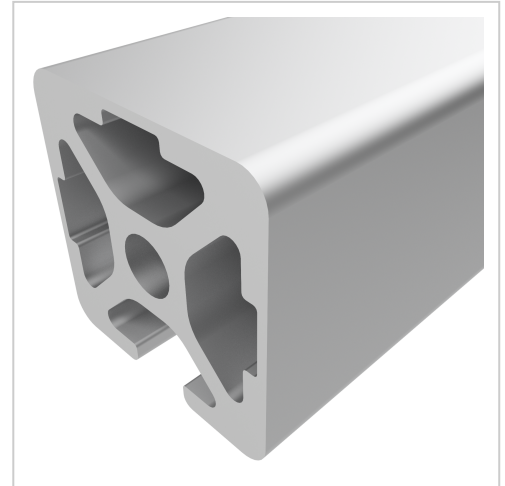


Profile 5 20x20 3N, natural | Cut length

Profil 5 20x20 3N, natur kaufen ☐ - 0.0.464.83 kompatibel mit Aluprofilen. Jetzt sparen in unserem Onlineshop ☐ !

Product number PI-4141 SZ
Weight 0.512kg
Length 6000mm



Product description

The compact design of Profiles 5 makes them particularly suitable for small and weight-optimised assemblies. The grooves and core holes of Profiles 5 are designed for M5 screws.

Cut to size max. 6000 mm

Product properties

Material Al Mg Si 0.5 F25, artificially aged
Anodised E6EV1 10-15 µm silver
Tolerances EN 12020-2
Nutauszugskraft F=500 N
Contour Square
Groove shape 3 sides closed
Delivery unit Cuts
Series Series 5
Size 20x20 mm
Colour natural
Execution heavy

More images

