

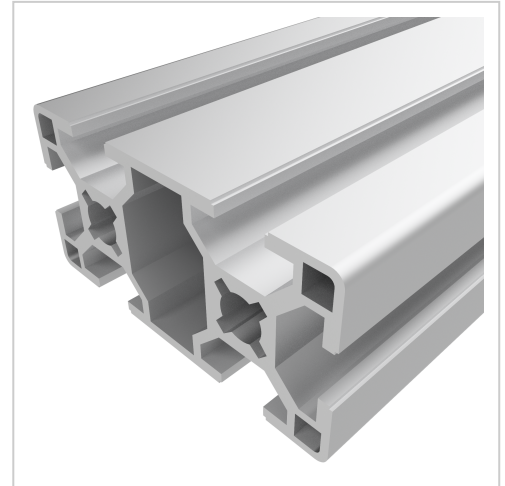
Profile 30x60 light natural-8 | Cut length

Strebenprofil 30x60 kaufen ☐ - 3 842 992 457 kompatibel mit Bosch-Geräten. Jetzt sparen in unserem Onlineshop ☐ !

Product number PB-1830 SZ

Weight 1.49kg

Length 6000mm



Product description

Profiles 8 are particularly suitable for weight-optimised assemblies. The grooves and the core holes of profiles 8 are designed for M8 screws.

Cut to size max. 6000 mm

Product properties

Compatible with	Bosch
Nutauszugskraft	F=4.000 N
Breite Profil	60 mm
Höhe Profil	30 mm
Groove shape	Open grooves
Profile length	Cut length
Modular dimension	Modular dimension 30
Delivery unit	Cuts
Execution	light
Size	60x30 mm
Contour	Rectangular
Colour	natural
Series	Series 30 8

More images

