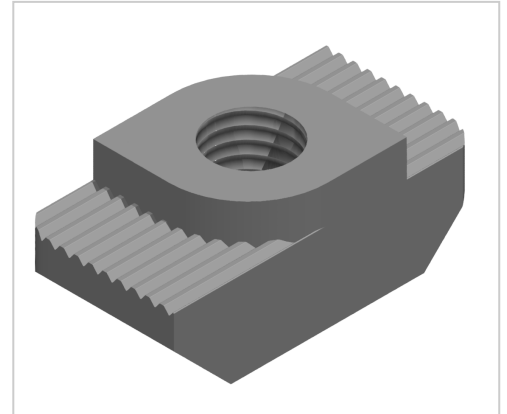


Hammer Nut M6 stainless-10

Hammermutter M6, Edelstahl-10 kaufen ☐ - 3 842 536 605 kompatibel mit Bosch-Geräten. Jetzt sparen in unserem Onlineshop ☐ !

Product number NB-3058

Weight 0.008kg



Product description

Fastening element for Pofile. Breaks up the anodised layer and creates a safe, electrically ESD conductive connection.

Product properties

Compatible with Bosch

Braking torque without

Part type Hammer nuts

Series Series 60-10, Series 45-10, Series 50-10, Series 40-10

Material Stainless steel

Thread M6

More images

