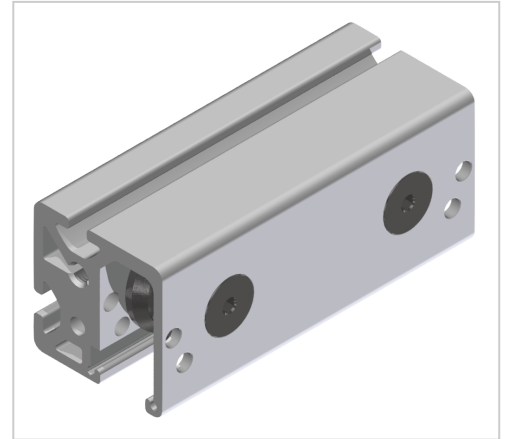


Double-Bearing Unit 8 D14 z, stainless

Doppellagereinheit 8 D14 z, rostfrei kaufen ☐ Jetzt sparen in unserem Onlineshop ☐ !

Product number ZI-1647

Weight 0.889kg



Product description

Linear slides are built with storage units. They are used in pairs, 1 each eccentric (this is set free of play) and opposite 1 centric. In order to minimize wear, a wiper lubrication system must be installed on every bearing unit.

Product properties

Compatible with	item
Part type	Roller guides
Series	Series 8
Material	Stainless steel
Diameter mm	Ø 14

More images

