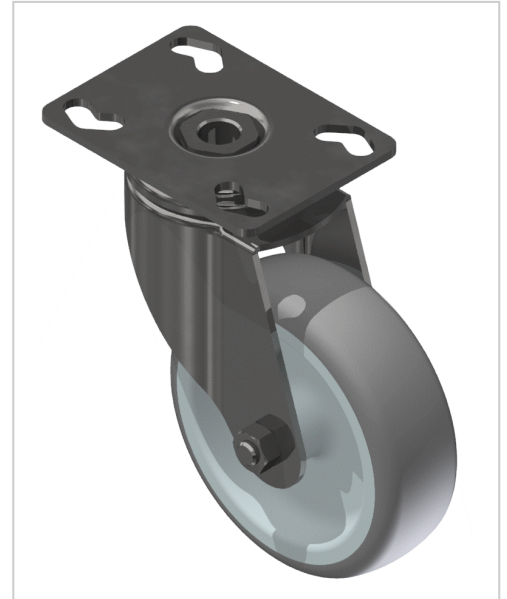


Castor D100 swivel Fitting Plate, bright zinc-plated

Lenkrolle D100 Anschlussplatte, verzinkt kaufen ? Jetzt sparen in unserem Onlineshop ?!

Product number M-104



Product description

Swivel and fixed castors are used on assemblies and frames of all kinds. They have very good rolling characteristics and are highly resilient. The castors are resistant to many environmental influences.

Product properties

Roll type	Swivel castor
Mounting type	Screw-on plate
Part type	Apparatus castors
Size	Ø 100
Lean system type	D28 steel kit system
Load capacity	110 kg

More images

