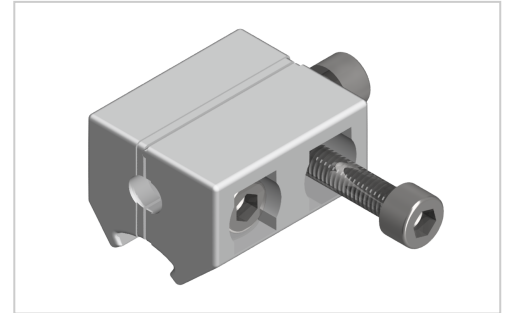


# Vario Block Al Set D28

Variofix-Block Zn kaufen ☐ - 3 842 543 494 kompatibel mit Bosch-Geräten.  
Jetzt sparen in unserem Onlineshop ☐ !

**Product number** ZL-1212

**Weight** 0.064kg



## Product description

For stable fastening of panel elements to round tube profiles with an outer diameter of Ø 28 ESD.  
Clamping width: 6 - 17 mm

## Product properties

**Compatible with** Bosch  
**Series** B- LPS Lean Production  
**Part type** Multi block  
**Material** GD-Al, natur  
**Lean system type** D28 Aluminium B kit system

## More images

