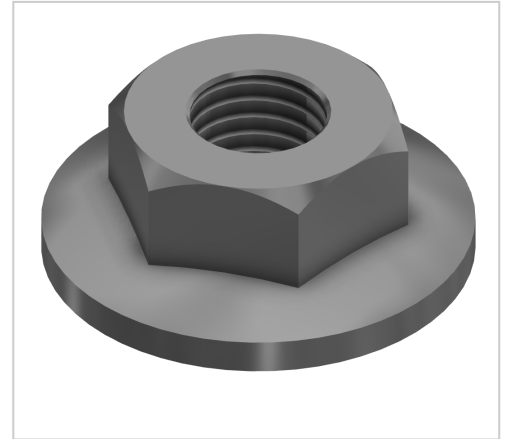


Hex Nut M6, zinc-plated-8

Bundmutter M8, verzinkt-10 kaufen ☐ - 3 842 345 081 kompatibel mit Bosch-Geräten. Jetzt sparen in unserem Onlineshop ☐ !

Product number NB-3050

Weight 0.003kg



Product description

Collar nuts in combination with hammerhead bolts are fasteners for various types of connections. Mostly, collar nuts are used for angle sets.

Product properties

Compatible with Bosch

Part type collar nuts

Series Series 60-10, Series 45-10, Series 50-10, Series 40-10

Thread M8

Material Galvanized steel

More images

