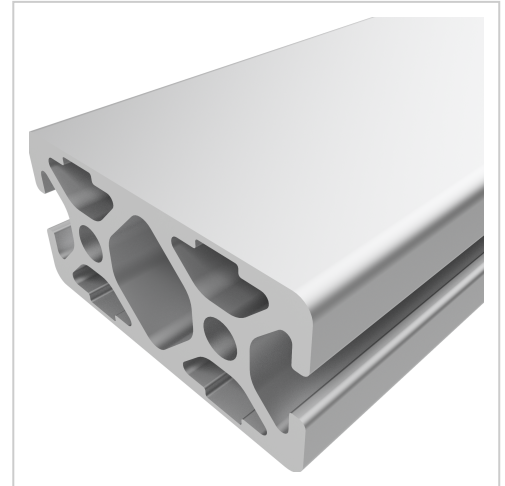


Profile 5 40x20 4N180, natural | Cut length

Profil 5 40x20 4N180, natur kaufen ☐ - 0.0.437.78 kompatibel mit Aluprofilen. Jetzt sparen in unserem Onlineshop ☐ !

Product number PI-4140 SZ

Weight 0.93kg



Product description

The compact design of Profiles 5 makes them particularly suitable for small and weight-optimised assemblies. The grooves and core holes of Profiles 5 are designed for M5 screws.

Cut to size max. 6000 mm

Product properties

Material	Al Mg Si 0.5 F25, artificially aged
Anodised	E6EV1 10-15 µm silver
Tolerances	EN 12020-2
Compatible with	item
Nutauszugskraft	F=500 N
Profile length	Cut length
Size	40x20 mm, 20x20 mm
Delivery unit	Cuts
Groove shape	2 sides closed 180°
Contour	Rectangular
Series	Series 5
Colour	natural
Execution	heavy

More images

