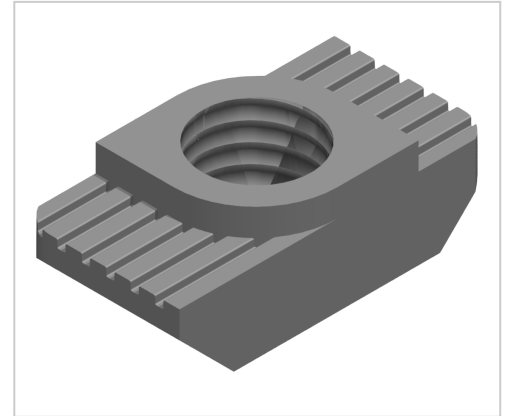


# Hammer Nut M4 zinc-plated-6

Hammermutter M4, verzinkt-6 kaufen ☐ - 3 842 523 135 kompatibel mit Bosch-Geräten. Jetzt sparen in unserem Onlineshop ☐ !

**Product number** NB-1000

**Weight** 0.001kg



## Product description

Fastening element for Pofile. Breaks up the anodised layer and creates a safe, electrically ESD conductive connection.

## Product properties

**Braking torque** without

**Part type** Hammer nuts

**Series** Series 6

**Thread** M4

**Material** Galvanized steel

## More images

