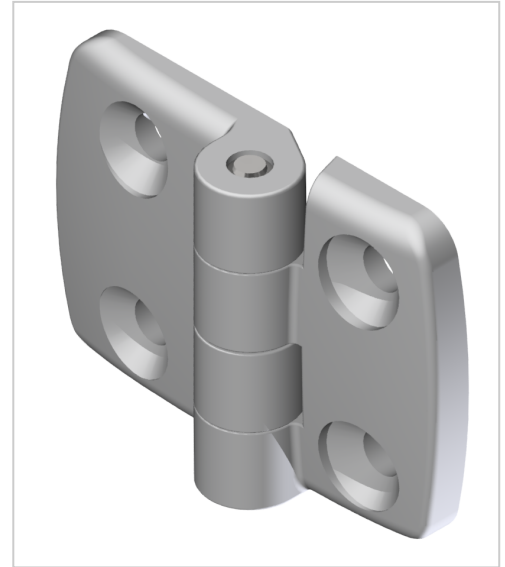


Alu Combi Hinge non detachable 30x40 Al, white aluminium-8

Kombischarnier fest 30x40 Al, weißaluminium-8 kaufen ? Jetzt sparen in unserem Onlineshop ?!

Product number ZB-2020

Weight 0.067kg



Product description

Hinges Al are suitable for heavy doors and flaps. Fächenelemente which are installed directly hinged PA must be machined with holes.

Product properties

Compatible with	Bosch
Part type	Hinges
Material	Al
Hinge Type	Combi hinge non detaschable, Hinge Al
Colour	white aluminium
Series	Series 40-10, Series 30 8
Size	30x40 mm

More images

