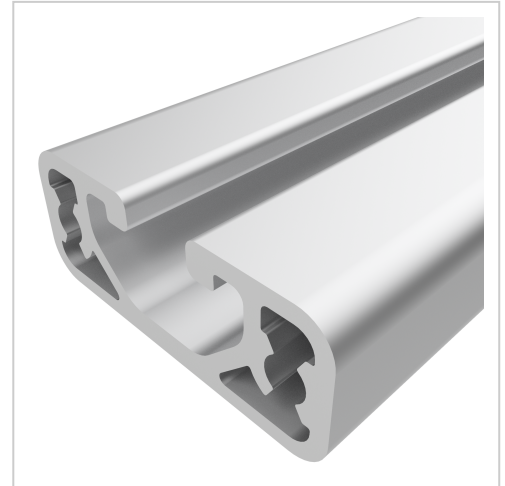


Profile 6 30x12 light, natural | Cut length

Profil 6 30x12 leicht, natur kaufen ☐ - 0.0.478.05 kompatibel mit Aluprofilen. Jetzt sparen in unserem Onlineshop ☐ !

Product number PI-3053 SZ

Weight 0.43kg



Product description

Profiles 6 are particularly suitable for weight-optimised assemblies. The grooves and the core holes of profiles 6 are designed for M6 screws.

Cut to size max. 6000 mm

Product properties

Material	Al Mg Si 0.5 F25, artificially aged
Anodised	E6EV1 10-15 µm silver
Tolerances	EN 12020-2
Compatible with	item
Nutauszugskraft	F=500 N
Breite Profil	30 mm
Höhe Profil	12 mm
Series	Series 6
Groove shape	Open grooves
Profile length	Cut length
Delivery unit	Cuts
Execution	light
Size	30x12 mm
Contour	Rectangular
Colour	natural

More images

