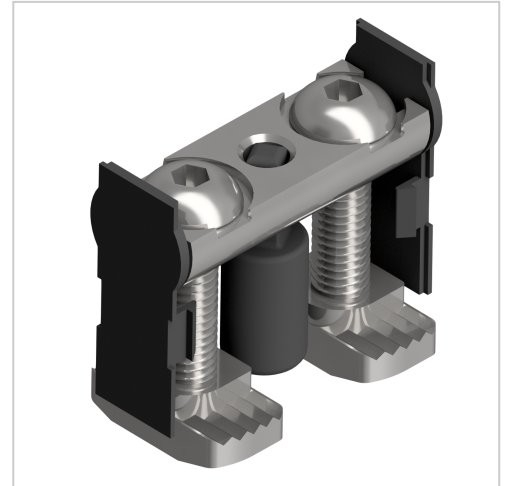


Bolt Connector Set 30, bright zinc-plated-8

Bolzenverbindersatz 30, verzinkt-8 kaufen ☐ - 3 842 535 624 kompatibel mit Bosch-Geräten. Jetzt sparen in unserem Onlineshop ☐ !

Product number VB-2010

Weight 0.026kg



Product description

The pin connector is used for connecting two rectangular profiles. It is designed for very high loads, even for torsion suitable. The shoring in already assembled components is possible.

Product properties

Profile processing	1x hole
Torque limitation	$F \times l < 60 \text{ Nm}$
Force limitation	$F < 2.500 \text{ N}$
Compatible with	Bosch
Part type	Connector
Verbindungsart	Rechtwinkelig
Connector type	Bolt connector
ESD discharging	Yes
Series	Series 30 8
Material	Galvanized steel

More images

