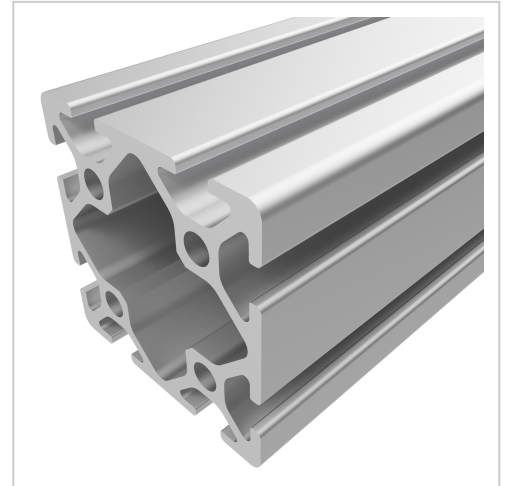


Profile 5 40x40, natural | Cut length

Profil 5 40x40, natur kaufen ☐ - 0.0.370.05 kompatibel mit Aluprofilen.
Jetzt sparen in unserem Onlineshop ☐ !

Product number PI-4070 SZ

Weight 1.39kg



Product description

The compact design of Profiles 5 makes them particularly suitable for small and weight-optimised assemblies. The grooves and core holes of Profiles 5 are designed for M5 screws.

Cut to size max. 6000 mm

Product properties

Material	Al Mg Si 0.5 F25, artificially aged
Anodised	E6EV1 10-15 µm silver
Tolerances	EN 12020-2
Compatible with	item
Nutauszugskraft	F=500 N
Breite Profil	40 mm
Höhe Profil	40 mm
Groove shape	Open grooves
Profile length	Cut length
Contour	Square
Delivery unit	Cuts
Size	40x40 mm
Series	Series 5
Colour	natural
Execution	heavy

More images

