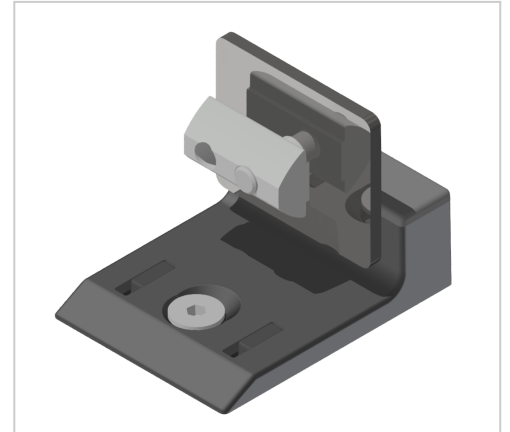


# Magnetic Door Stop 8, black

Magnetanschlag 8, schwarz kaufen ☐☐ - 0.0.601.30 kompatibel mit Aluprofilen. Jetzt sparen in unserem Onlineshop ☐ !

**Product number** ZI-2015

**Weight** 0.022kg



## Product description

The magnetic stop is used for guard locking and as a stop for swing doors.

## Product properties

**Compatible with** item

**Part type** Door stops, Locks

**Colour** black

**Series** Series 8

## More images

