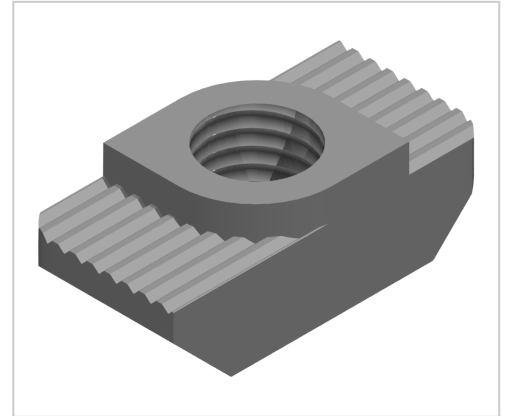


Hammer Nut M6 zinc-plated-8

Hammermutter M6, verzinkt-8 kaufen ☐ - 3 842 501 753 kompatibel mit Bosch-Geräten. Jetzt sparen in unserem Onlineshop ☐ !

Product number NB-2030

Weight 0.003kg



Product description

Fastening element for Pofile. Breaks up the anodised layer and creates a safe, electrically ESD conductive connection.

Product properties

Compatible with Bosch

Braking torque without

Part type Hammer nuts

Series Series 30 8

Material Galvanized steel

Thread M6

More images

