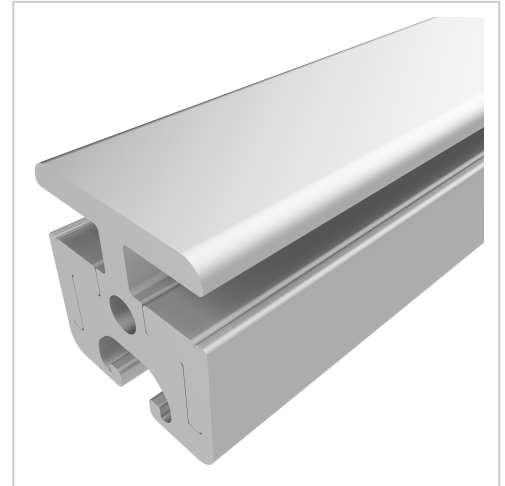


Clamp Profile 8 40x40-180°, natural | Cut length

Klemmprofil 8 40x40-180°, natur kaufen ☐ - 0.0.429.95 kompatibel mit Aluprofilen. Jetzt sparen in unserem Onlineshop ☐ !

Product number PI-1410 SZ

Weight 2.56kg



Product description

Profiles 8 are suitable for assemblies of all kinds. Due to the different profile geometries, the material requirements can be adapted to the application. The grooves and the core holes of the profiles 8 are designed for M8 screws. Clamping profiles are used to build large and stable protective panels. The panel elements are screwed together with cylinder head screws and clamping strips. The direct screwing of the panel element supports the stability of the panel. Panel size: clear inside dimension +30.0 mm
Cut to size max. 6000 mm

Product properties

Material	Al Mg Si 0.5 F25, artificially aged
Anodised	E6EV1 10-15 µm silver
Tolerances	EN 12020-2
Nutauszugskraft	F=5.000 N
Breite Profil	40 mm
Höhe Profil	40 mm
Funktionsintegration	Flächenbefestigung
Profile length	Cut length
Series	Series 8
Contour	Square
Groove shape	Clamp Profile
Delivery unit	Cuts
Size	40x40 mm
Colour	natural
Execution	heavy

More images

