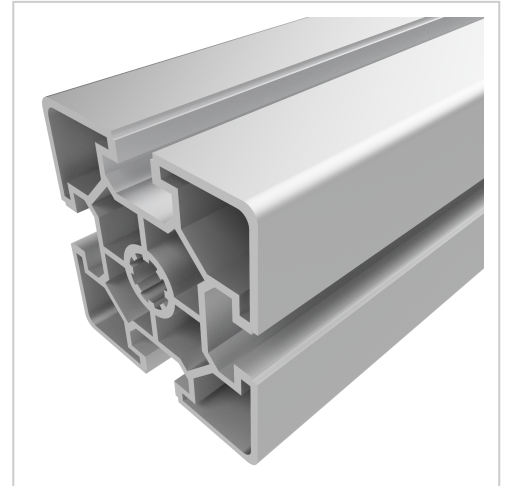


Profile 60x60 light natural-10 | Cut length

Strebenprofil 60x60L kaufen ? – 3 842 992 443 kompatibel mit Bosch-Geräten. Jetzt sparen in unserem Onlineshop ?!

Product number PB-1410 SZ

Weight 2.57kg



Product description

The profiles in pitch 60 with groove 10 are suitable for assemblies of all kinds. Due to the different profile geometries, the material requirements can be adapted to the application. The grooves are designed for M8 screws. Cut to size max. 6000 mm

Product properties

Material	Al Mg Si 0.5 F25, artificially aged
Anodised	E6EV1 10-15 µm silver
Tolerances	EN 12020-2
Compatible with	Bosch
Nutauszugskraft	F=7.000 N
Breite Profil	60 mm
Höhe Profil	60 mm
Groove shape	Open grooves
Series	Series 60-10
Size	60x60 mm
Profile length	Cut length
Contour	Square
Delivery unit	Cuts
Execution	light
Modular dimension	Modular dimension 60
Colour	natural

More images

