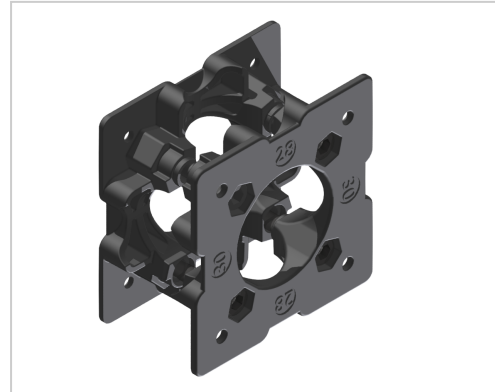


Suspension Plate D28

Einhängeplatte D 28 kaufen Jetzt sparen in unserem Onlineshop !

Product number ZL-1205

Weight 0.113kg



Product description

For attaching gripping shells, to horizontal or vertical round tube profiles with an outer diameter of Ø 28 mm or Ø 30 mm.

Product properties

Compatible with Bosch

Series B- LPS Lean Production

Material PA-GF

Lean system type D28 Aluminium B kit system

More images

