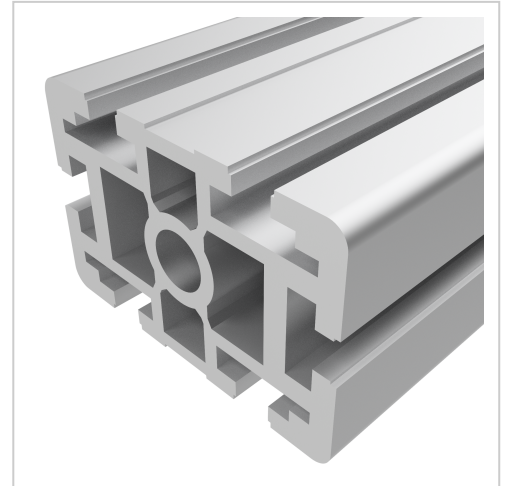


Profile 60x90 natural-10 | Cut length

Strebenprofil 60x90 kaufen ☐ - 3 842 990 450 kompatibel mit Bosch-Geräten. Jetzt sparen in unserem Onlineshop ☐ !

Product number PB-1520 SZ

Weight 6.92kg



Product description

The profiles in pitch 60 with groove 10 are suitable for assemblies of all kinds. Due to the different profile geometries, the material requirements can be adapted to the application. The grooves are designed for M8 screws.

Cut to size max. 6000 mm

Product properties

Material	Al Mg Si 0.5 F25, artificially aged
Anodised	E6EV1 10-15 µm silver
Tolerances	EN 12020-2
Compatible with	Bosch
Nutauszugskraft	F=12.000 N
Breite Profil	90 mm
Höhe Profil	60 mm
Modular dimension	Modular dimension 20
Groove shape	Open grooves
Series	Series 60-10
Profile length	Cut length
Size	60x90 mm
Delivery unit	Cuts
Contour	Rectangular
Colour	natural
Execution	heavy

More images

