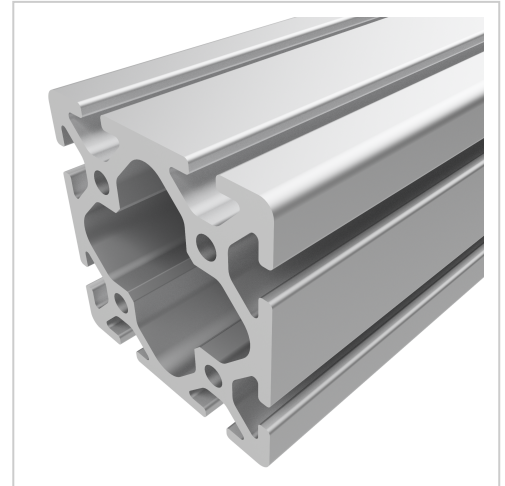


Profile 6 60x60, natural | Cut length

Profil 6 60x60, natur kaufen ☐ - 0.0.419.03 kompatibel mit Aluprofilen.
Jetzt sparen in unserem Onlineshop ☐ !

Product number PI-3040 SZ

Weight 3.488kg



Product description

Profiles 6 are particularly suitable for weight-optimised assemblies. The grooves and the core holes of profiles 6 are designed for M6 screws.

Cut to size max. 6000 mm

Product properties

Nutauszugskraft	F=1.750 N
Breite Profil	60 mm
Höhe Profil	60 mm
Series	Series 6
Groove shape	Open grooves
Size	60x60 mm
Profile length	Cut length
Contour	Square
Delivery unit	Cuts
Colour	natural
Execution	heavy

More images

