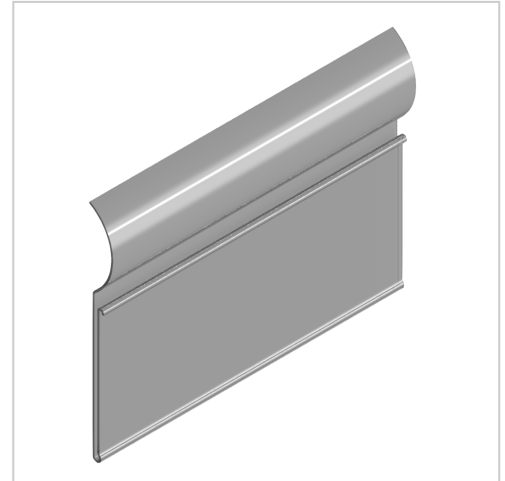


# Label Holder D30-100 flex, transparent

Beschriftungselement D30-100 flex, transparent kaufen ☐ - 0.0.644.71  
kompatibel mit Aluprofilen. Jetzt sparen in unserem Onlineshop ☐ !

**Product number** ZL-1966

**Weight** 0.013kg



## Product description

For creating inscriptions on frames made of round tubular profiles with outer diameter Ø 30

## Product properties

<b>Compatible with</b>	item
<b>Series</b>	i- LPS Lean Production
<b>Colour</b>	grey
<b>Lean system type</b>	D30 Aluminium i kit system
<b>Material</b>	PA-GF grey simular Ral 7035

## More images

