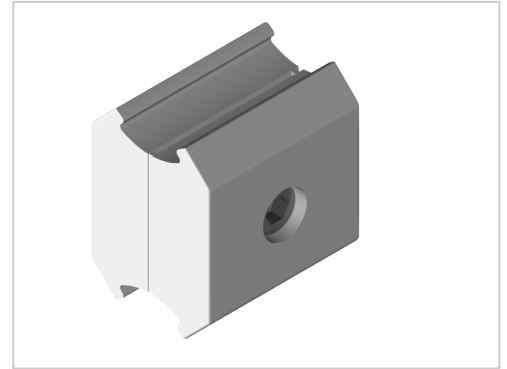


Parallel Fastener D30-60

Parallelverbinder D30-60 kaufen ☐ - 0.0.682.21 kompatibel mit Aluprofilen.
Jetzt sparen in unserem Onlineshop ☐ !

Product number ZL-1931

Weight 0.076kg



Product description

For the parallel connection of two round tube profiles with outer diameter Ø 30.

Product properties

Compatible with	item
Series	i- LPS Lean Production
Connector type	D-30 Connector, Parallel connectors
Part type	Connector
Verbindungsart	Parallel
Colour	Alu natural
Material	GD-Al, natur
Lean system type	D30 Aluminium i kit system

More images

