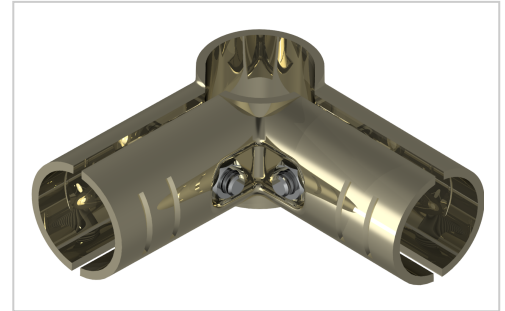


Basic connector set as corner form | ESD

Grundverbinderset als Eckform-2, vernickelt kaufen [☐](#) Jetzt sparen in unserem Onlineshop [☐](#) !

Product number GA-2S-NI

Weight 0.237kg



Product description

Clamp connector set made of steel for the assembly of stable pipe push-in clamp connections.

Product properties

Compatible with Beewatec

Series S- LPS Lean Production

Part type Connector

Lean system type D28 steel kit system

Connector type Basic connector

More images

