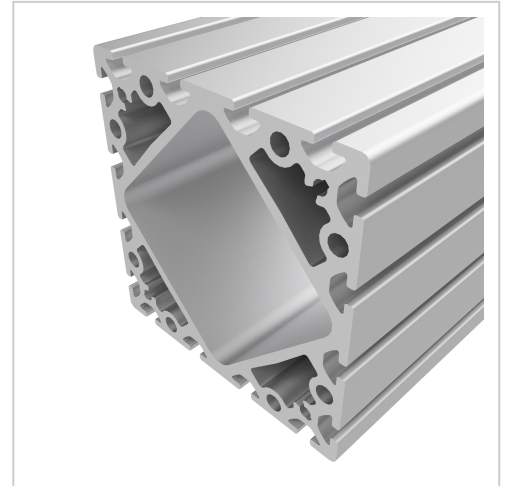


Profile 8 160x160, natural | Cut length

Profil 8 160x160, natur kaufen ☐ - 0.0.411.08 kompatibel mit Aluprofilen. Jetzt sparen in unserem Onlineshop ☐ !

Product number PI-1105 SZ

Weight 20.773kg



Product description

Profiles 8 are suitable for assemblies of all kinds. Due to the different profile geometries, the material requirements can be adapted to the application. The grooves and the core holes of the profiles 8 are designed for M8 screws. Cut to size max. 6000 mm

Product properties

Compatible with	item
Nutauszugskraft	F=5.000 N
Breite Profil	160 mm
Höhe Profil	160 mm
Groove shape	Open grooves
Profile length	Cut length
Series	Series 8
Contour	Square, Rectangular
Delivery unit	Cuts
Colour	natural
Execution	heavy
Size	160x160 mm

More images

