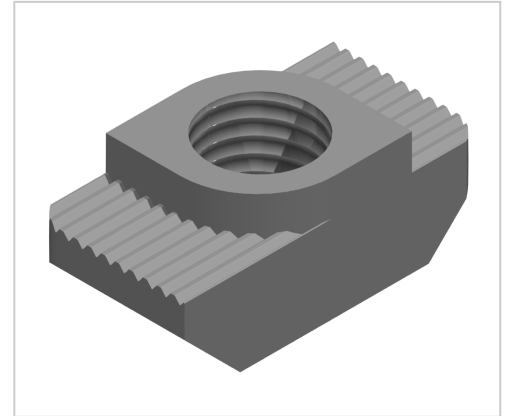


Hammer Nut M8 stainless-10

Hammermutter M8, Edelstahl-10 kaufen ☐ - 3 842 536 603 kompatibel mit Bosch-Geräten. Jetzt sparen in unserem Onlineshop ☐ !

Product number NB-3060

Weight 0.007kg



Product description

Fastening element for Pofile. Breaks up the anodised layer and creates a safe, electrically ESD conductive connection.

Product properties

Braking torque without

Part type Hammer nuts

Series Series 60-10, Series 45-10, Series 50-10, Series 40-10

Thread M8

Material Stainless steel

More images

