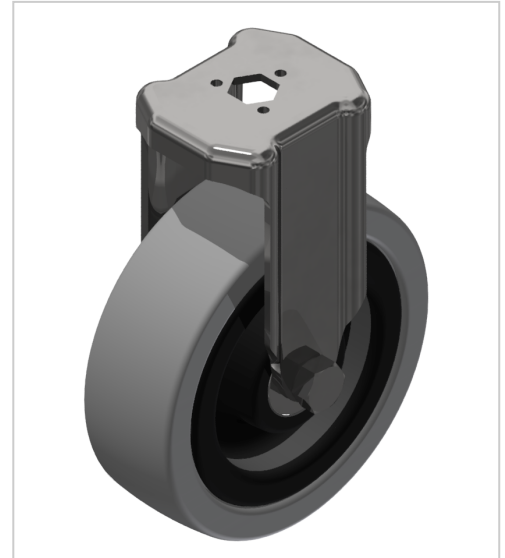


Castor fixed D100, bright zinc-plated

Bockrolle D100, verzinkt kaufen ☐ - 0.0.603.26 kompatibel mit Aluprofilen.
Jetzt sparen in unserem Onlineshop ☐ !

Product number ZI-1518

Weight 0.64kg



Product description

Swivel and fixed castors are used on assemblies and frames of all kinds. They have very good rolling characteristics and are highly resilient. The castors are resistant to many environmental influences. Especially for use in electrical production, many castors are also available in ESD versions. The ESD version has a discharge resistance of 110 Ohm.

Product properties

Roll type	Fixed castor
Mounting type	Back hole
Compatible with	item
Part type	Apparatus castors
Roller diameter	Ø 100 mm
Series	Series 8
Load capacity	110 kg

More images

