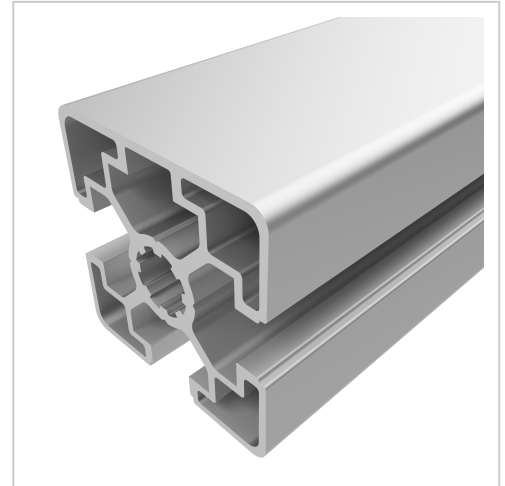


Profile 45x45 3N light natural-10 | Cut length

Strebenprofil 45x45L 3N kaufen ☐ - 3 842 992 404 kompatibel mit Bosch-Geräten. Jetzt sparen in unserem Onlineshop ☐ !

Product number PB-1220 SZ

Weight 1.57kg



Product description

The profiles in pitch 45 with groove 10 are suitable for assemblies of all kinds. Due to the different profile geometries, the material requirements can be adapted to the application. The grooves are designed for M8 screws.

Cut to size max. 6000 mm

Compatible with Bosch 3 842 992 404

Product properties

Compatible with	Bosch
Nutauszugskraft	F=7.000 N
Breite Profil	45 mm
Höhe Profil	45 mm
Groove shape	1 side closed
Series	Series 45-10
Profile length	Cut length
Contour	Square
Delivery unit	Cuts
Execution	light
Colour	natural
Modular dimension	Modular dimension 45
Size	45x45 mm

More images

