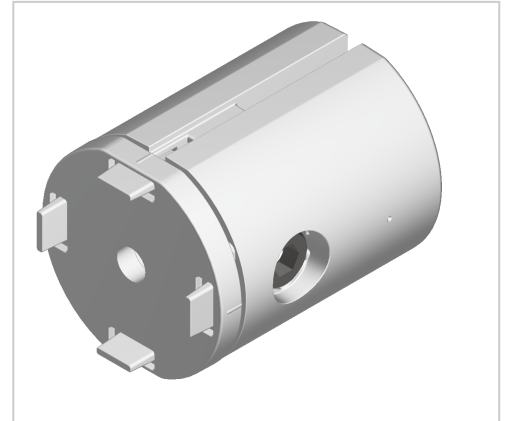


End Connector 8 D30-90°

Anschluss 8 D30-90° kaufen ☐ - 0.0.629.97 kompatibel mit Aluprofilen.
Jetzt sparen in unserem Onlineshop ☐ !

Product number ZL-1946

Weight 0.115kg



Product description

For creating a connection between a profile of series 8 and a round tube profile with outer diameter Ø 30.

Product properties

Compatible with	item
Series	i- LPS Lean Production
Connector type	D-30 Connector
Part type	Connector
Verbindungsart	Rechtwinkelig
Colour	Alu natural
Material	GD-Al, natur
Lean system type	D30 Aluminium i kit system

More images

