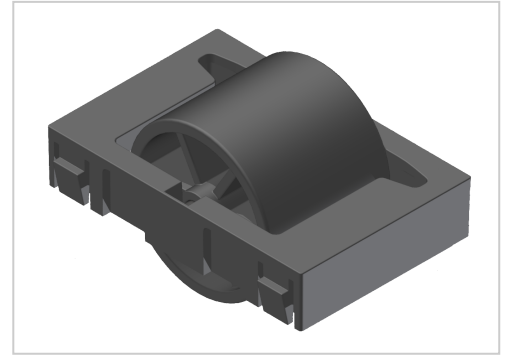


Roller Unit D28 | black/black

Rolleneinsatz D30, schwarz ähnlich RAL 9005 kaufen ? – 0.0.620.16 kompatibel mit Aluprofilen. Jetzt sparen in unserem Onlineshop ?!

Product number ZL-1090-S

Weight 0.018kg



Product description

Roller element D28 with cylindrical roller, suitable for roller rail 40x40.

Product properties

Compatible with item , Bosch

Series i- LPS Lean Production, B- LPS Lean Production

Part type Roller conveyor inserts

Lean system type D28 steel kit system, D30 Aluminium i kit system, D28 Aluminium B kit system

ESD discharging Yes

More images

