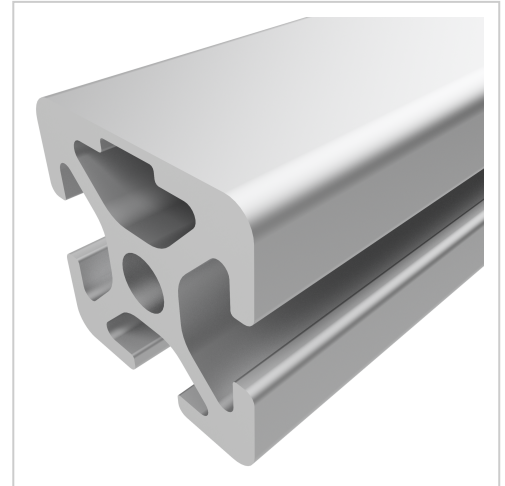


# Profile 5 20x20 1N, natural | Cut length

Profil 5 20x20 1N, natur kaufen ☐ - 0.0.437.74 kompatibel mit Aluprofilen. Jetzt sparen in unserem Onlineshop ☐ !

**Product number** PI-4032 SZ

**Weight** 0.509kg



## Product description

The compact design of Profiles 5 makes them particularly suitable for small and weight-optimised assemblies. The grooves and core holes of Profiles 5 are designed for M5 screws.

Cut to size max. 6000 mm

## Product properties

<b>Material</b>	Al Mg Si 0.5 F25, artificially aged
<b>Anodised</b>	E6EV1 10-15 µm silver
<b>Tolerances</b>	EN 12020-2
<b>Compatible with</b>	item
<b>Nutauszugskraft</b>	F=500 N
<b>Breite Profil</b>	20 mm
<b>Höhe Profil</b>	20 mm
<b>Groove shape</b>	1 side closed
<b>Profile length</b>	Cut length
<b>Delivery unit</b>	Cuts
<b>Series</b>	Series 5
<b>Size</b>	20x20 mm
<b>Colour</b>	natural
<b>Execution</b>	heavy

## More images

