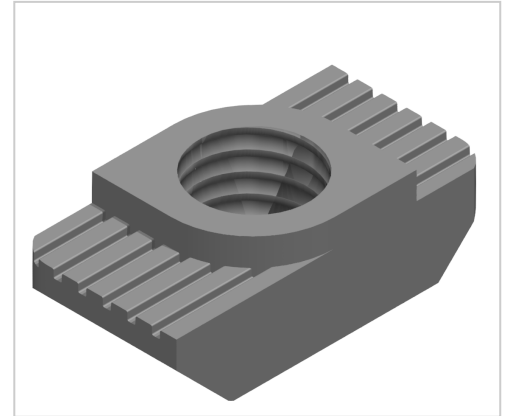


Hammer Nut M4 stainless-6

Hammermutter M4, Edelstahl-6 kaufen ☐☐ - 3 842 536 599 kompatibel mit Bosch-Geräten. Jetzt sparen in unserem Onlineshop ☐ !

Product number NB-1005

Weight 0.002kg



Product description

Fastening element for Pofile. Breaks up the anodised layer and creates a safe, electrically ESD conductive connection.

Product properties

Compatible with Bosch

Braking torque without

Part type Hammer nuts

Thread M4

Material Stainless steel

Series Series 20-6

More images

