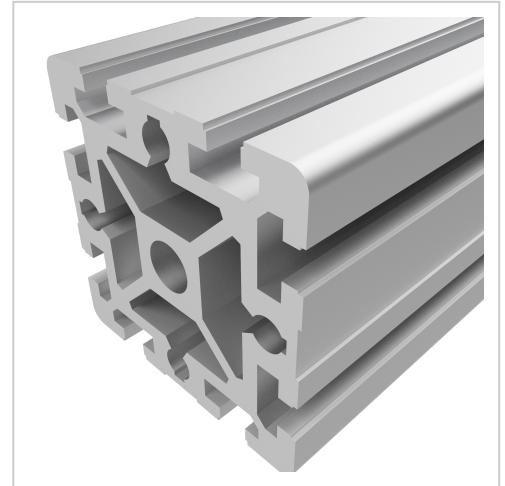


# Profile 90x90 natural-10 | Cut length

Strebenprofil 90x90 kaufen ☐ - 3 842 990 500 kompatibel mit Bosch-Geräten. Jetzt sparen in unserem Onlineshop ☐ !

**Product number** PB-1275 SZ

**Weight** 10.51kg



## Product description

The profiles in pitch 45 with groove 10 are suitable for assemblies of all kinds. Due to the different profile geometries, the material requirements can be adapted to the application. The grooves are designed for M8 screws.

Cut to size max. 6000 mm

Compatible with Bosch 3 842 990 500

## Product properties

<b>Material</b>	Al Mg Si 0.5 F25, artificially aged
<b>Anodised</b>	E6EV1 10-15 µm silver
<b>Tolerances</b>	EN 12020-2
<b>Compatible with</b>	Bosch
<b>Nutauszugskraft</b>	F=12.000 N
<b>Breite Profil</b>	90 mm
<b>Höhe Profil</b>	90 mm
<b>Groove shape</b>	Open grooves
<b>Size</b>	90x90 mm
<b>Series</b>	Series 45-10
<b>Profile length</b>	Cut length
<b>Contour</b>	Square
<b>Delivery unit</b>	Cuts
<b>Colour</b>	natural
<b>Execution</b>	heavy
<b>Modular dimension</b>	Modular dimension 45

## More images

