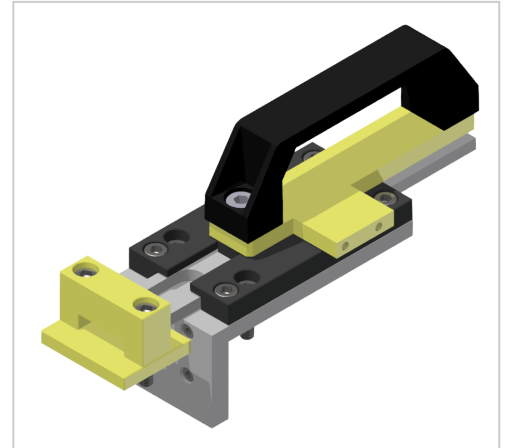


Predection Wall Locking Mechanism - 8

Schutzzaunverriegelung Schwenktuere 8 kaufen [Jetzt sparen](#) in unserem Onlineshop [!](#)

Product number ZI-1721

Weight 1.5kg



Product description

Complete locking and stop for a safety door. When ordering, please specify the type of safety switch.

Product properties

Compatible with item

Part type Safety switch, Locks

Series Series 8

More images

