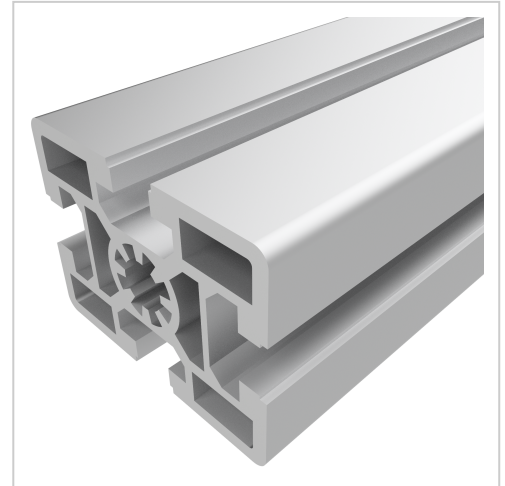


# Profile 45x60 natural-10 | Cut length

Strebenprofil 45x60 kaufen ☐ - 3 842 990 570 kompatibel mit Bosch-Geräten. Jetzt sparen in unserem Onlineshop ☐ !

**Product number** PB-1240 SZ

**Weight** 3.01kg



## Product description

The profiles in pitch 45 with groove 10 are suitable for assemblies of all kinds. Due to the different profile geometries, the material requirements can be adapted to the application. The grooves are designed for M8 screws.

Cut to size max. 6000 mm

Compatible with Bosch 3 842 990 570

## Product properties

<b>Compatible with</b>	Bosch
<b>Nutauszugskraft</b>	F=12.000 N
<b>Breite Profil</b>	45 mm
<b>Höhe Profil</b>	60 mm
<b>Groove shape</b>	Open grooves
<b>Series</b>	Series 45-10
<b>Profile length</b>	Cut length
<b>Delivery unit</b>	Cuts
<b>Contour</b>	Rectangular
<b>Size</b>	45x60 mm
<b>Colour</b>	natural
<b>Execution</b>	heavy
<b>Modular dimension</b>	Modular dimension 45

## More images

