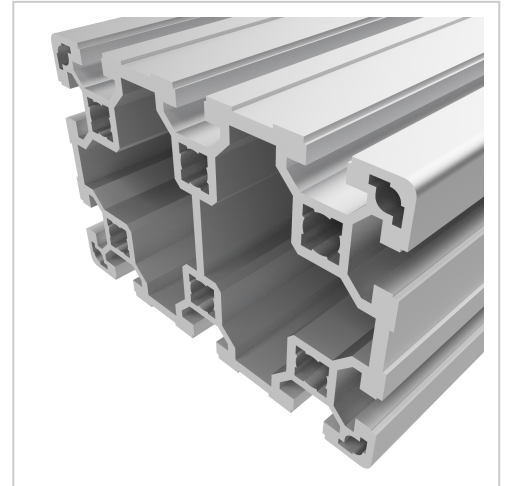


Profile 80x120 light natural-10 | Cut length

Strebenprofil 80x120L kaufen ☐ - 3 842 993 201 kompatibel mit Bosch-Geräten. Jetzt sparen in unserem Onlineshop ☐ !

Product number PB-1170 SZ



Product description

The profiles in pitch 40 with groove 10 are suitable for assemblies of all kinds. Due to the different profile geometries, the material requirements can be adapted to the application. The grooves are designed for M8 screws.

Cut to size max. 6000 mm

Compatible with Bosch 3 842 993 201

Product properties

Compatible with	Bosch
Nutauszugskraft	F=7.000 N
Breite Profil	120 mm
Höhe Profil	80 mm
Groove shape	Open grooves
Profile length	Cut length
Modular dimension	Modular dimension 40
Delivery unit	Cuts
Execution	light
Contour	Rectangular
Series	Series 40-10
Colour	natural
Size	120x80 mm

More images

