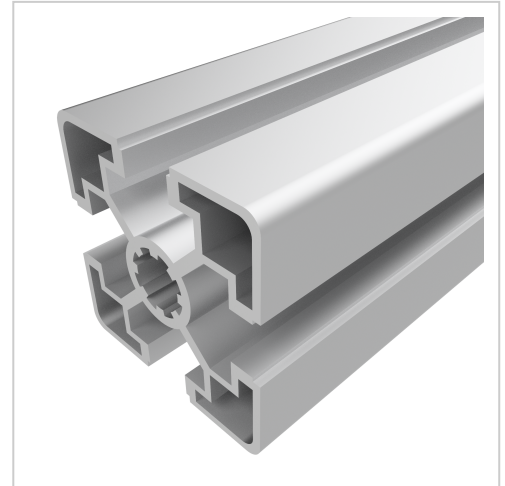


# Profile 45x45 light natural-10 | Cut length

Strebenprofil 45x45L kaufen ☐ - 3 842 992 425 kompatibel mit Bosch-Geräten. Jetzt sparen in unserem Onlineshop ☐ !

**Product number** PB-1210 SZ

**Weight** 1.55kg



## Product description

The profiles in pitch 45 with groove 10 are suitable for assemblies of all kinds. Due to the different profile geometries, the material requirements can be adapted to the application. The grooves are designed for M8 screws.

Cut to size max. 6000 mm

Compatible with Bosch 3 842 992 425

## Product properties

<b>Material</b>	Al Mg Si 0.5 F25, artificially aged
<b>Anodised</b>	E6EV1 10-15 µm silver
<b>Tolerances</b>	EN 12020-2
<b>Compatible with</b>	Bosch
<b>Nutauszugskraft</b>	F=7.000 N
<b>Breite Profil</b>	45 mm
<b>Höhe Profil</b>	45 mm
<b>Groove shape</b>	Open grooves
<b>Series</b>	Series 45-10
<b>Profile length</b>	Cut length
<b>Contour</b>	Square
<b>Delivery unit</b>	Cuts
<b>Execution</b>	light
<b>Colour</b>	natural
<b>Modular dimension</b>	Modular dimension 45
<b>Size</b>	45x45 mm

## More images

