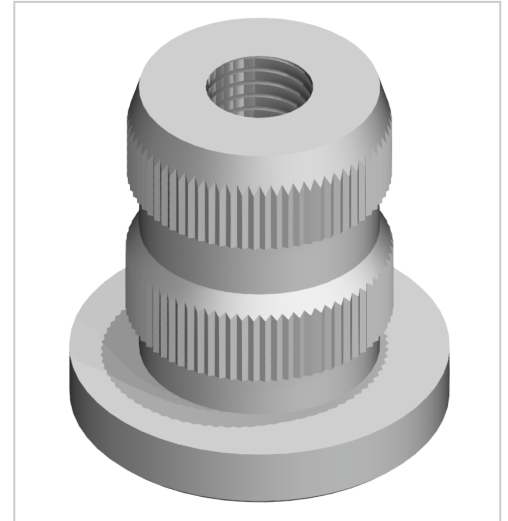


# Threaded Insert, Profile Tube D30 M10 Al, natural

Gewindeinsatz Profilrohr D30 M10 Al, natur kaufen ☐ - 0.0.675.18 kompatibel mit Aluprofilen. Jetzt sparen in unserem Onlineshop ☐ !

**Product number** ZL-1904

**Weight** 0.029kg



## Product description

The threaded plug is inserted into the front of the tube.  
Adjustable feet can then be attached.  
Compatible with item 0.0.675.17

## Product properties

**Compatible with** item  
**Series** i- LPS Lean Production  
**Part type** Threaded inserts profile tube  
**Colour** Alu natural  
**Material** GD-Al, natur  
**Lean system type** D30 Aluminium i kit system

## More images

