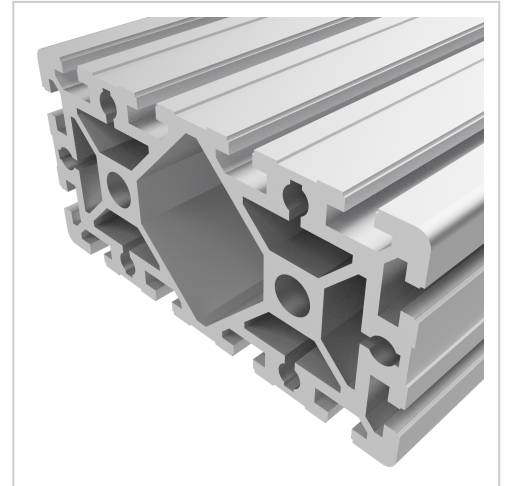


Profile 90x180 natural-10 | Cut length

Strebenprofil 90x180 kaufen ☐ - 3 842 990 416 kompatibel mit Bosch-Geräten. Jetzt sparen in unserem Onlineshop ☐ !

Product number PB-1285 SZ

Weight 17.2kg



Product description

The profiles in pitch 45 with groove 10 are suitable for assemblies of all kinds. Due to the different profile geometries, the material requirements can be adapted to the application. The grooves are designed for M8 screws.

Cut to size max. 6000 mm

Compatible with Bosch 3 842 990 416

Product properties

Material	Al Mg Si 0.5 F25, artificially aged
Anodised	E6EV1 10-15 µm silver
Tolerances	EN 12020-2
Compatible with	Bosch
Nutauszugskraft	F=12.000 N
Höhe Profil	90 mm
Breite Profil	180 mm
Groove shape	Open grooves
Series	Series 45-10
Profile length	Cut length
Delivery unit	Cuts
Contour	Rectangular
Colour	natural
Execution	heavy
Modular dimension	Modular dimension 45
Size	90x180 mm

More images

