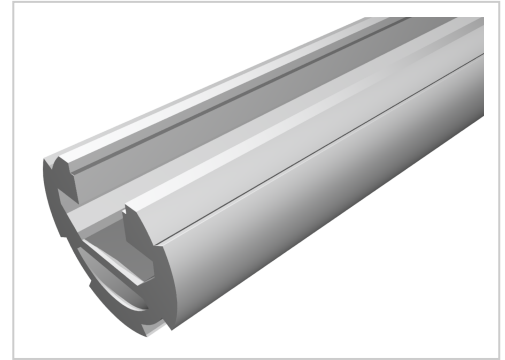


Profile Tube 10 D 28, natural | Cut length

Profilrohr 10 D 28, natur kaufen ☐☐ - 3 842 996 192 kompatibel mit Bosch-Geräten. Jetzt sparen in unserem Onlineshop ☐ !

Product number PL-1105 SZ

Weight 4.35kg



Product description

Round tube with clamping grooves and additional groove 10 made of aluminum.

Product properties

Compatible with Bosch

Series B- LPS Lean Production

Profile length Cut length

Delivery unit Cuts

Lean system type D28 Aluminium B kit system

More images

