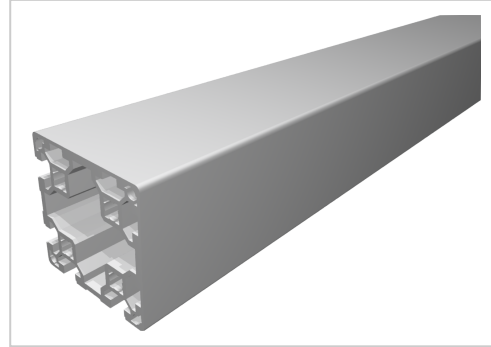


Profile 80x80 4N90° light natural-10

Product number PB-1180 SN6000
Weight 31.35kg
Length 6000mm



Product description

The profiles in pitch 45 with groove 10 are suitable for assemblies of all kinds. Due to the different profile geometries, the material requirements can be adapted to the application. The grooves are designed for M8 screws.
Delivery length 6030 mm

Compatible with Bosch 3 842 993 658

Product properties

Material	Al Mg Si 0.5 F25, artificially aged
Anodised	E6EV1 10-15 µm silver
Tolerances	EN 12020-2
Compatible with	Bosch
Nutauszugskraft	F=7.000 N
Breite Profil	80 mm
Höhe Profil	80 mm
Delivery unit	Rods
Size	80x80 mm
Contour	Square
Profile length	6000 mm bar
Modular dimension	Modular dimension 40
Execution	light
Series	Series 40-10
Colour	natural
Groove shape	2 sides closed 90°

More images

