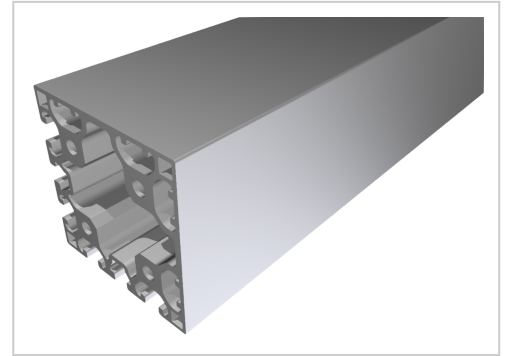


# Profile 8 80x80, natural | Cut length

Profil X 8 80x80 4N90 - XMS, natur kaufen ☐ - 0.0.649.40 kompatibel mit Aluprofilen. Jetzt sparen in unserem Onlineshop ☐ !

**Product number** PI-6140 SZ

**Weight** 5.541kg



## Product description

Profiles 8 are suitable for assemblies of all kinds. Due to the different profile geometries, the material requirements can be adapted to the application. The grooves and the core holes of the profiles 8 are designed for M8 screws. Cut to size max. 6000 mm

## Product properties

<b>Material</b>	Al Mg Si 0.5 F25, artificially aged
<b>Anodised</b>	E6EV1 10-15 µm silver
<b>Tolerances</b>	EN 12020-2
<b>Nutauszugskraft</b>	F=2.500 N
<b>Breite Profil</b>	80 mm
<b>Höhe Profil</b>	80 mm
<b>Funktionsintegration</b>	Türdichtungsnut
<b>Execution</b>	XMS, light
<b>Profile length</b>	Cut length
<b>Series</b>	Series 8
<b>Size</b>	80x80 mm
<b>Contour</b>	Square
<b>Delivery unit</b>	Cuts
<b>Colour</b>	natural
<b>Groove shape</b>	2 sides closed 90°

## More images

