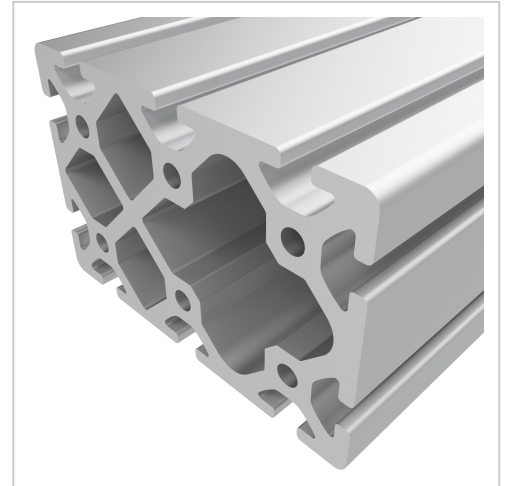


Profile 8 120x80, natural | Cut length

Profil 8 120x80, natur kaufen ☐ - 0.0.416.30 kompatibel mit Aluprofilen.
Jetzt sparen in unserem Onlineshop ☐ !

Product number PI-1080 SZ

Weight 10.431kg



Product description

Profiles 8 are suitable for assemblies of all kinds. Due to the different profile geometries, the material requirements can be adapted to the application. The grooves and the core holes of the profiles 8 are designed for M8 screws. Cut to size max. 6000 mm

Product properties

Compatible with	item
Breite Profil	120 mm
Höhe Profil	80 mm
Groove shape	Open grooves
Profile length	Cut length
Series	Series 8
Delivery unit	Cuts
Contour	Rectangular
Colour	natural
Execution	heavy
Size	120x80 mm

More images

