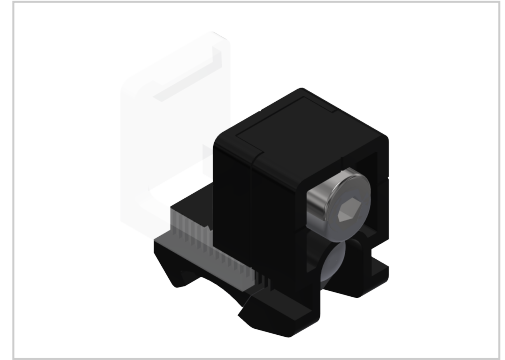


# Varioblock PA Set D28

Variofix-Block PA kaufen ☐ - 3 842 543 311 kompatibel mit Bosch-Geräten.  
Jetzt sparen in unserem Onlineshop ☐ !

**Product number** ZL-1207

**Weight** 0.02kg



## Product description

For stable fastening of panel elements to round tube profiles with an outer diameter of Ø 28 ESD.  
Clamping width: 0 - 8 mm

## Product properties

**Compatible with** Bosch  
**Series** B- LPS Lean Production  
**Material** PA-GF  
**Part type** Multi block  
**Lean system type** D28 Aluminium B kit system

## More images

