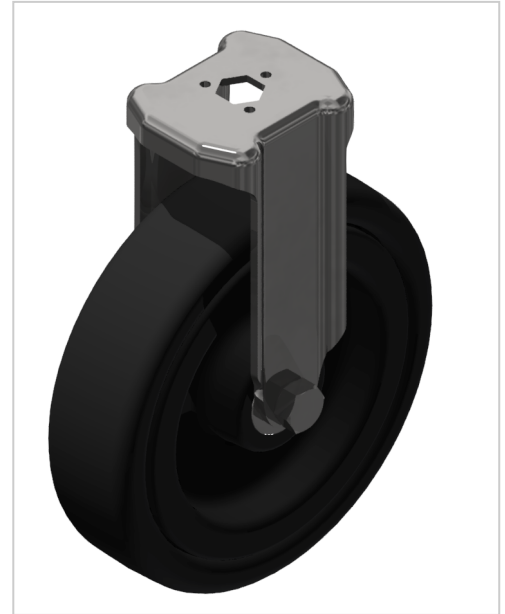


Castor D125 fixed antistatic, bright zinc-plated

Bockrolle D125 ESD, verzinkt kaufen ☐ - 3 842 547 840 kompatibel mit Bosch-Geräten. Jetzt sparen in unserem Onlineshop ☐ !

Product number ZB-3500

Weight 0.429kg



Product description

Steering and buck rollers are used on assemblies and handles of all kinds. They have a very good unwinding behavior and are highly resilient. The rollers are resistant to many environmental influences. Especially for use in electrical production, many rollers are also supplied in ESD version. The leak resistance of the ESD version is 110 ohms.

Product properties

Roll type	Fixed castor
Mounting type	Back hole
Compatible with	Bosch
Part type	Apparatus castors
Roller diameter	Ø 125 mm
Series	Series 60-10, Series 45-10, Series 50-10, Series 40-10, Series 30 8, Series 20-6
Load capacity	80 kg
ESD discharging	Yes
Material	Galvanized steel

More images

