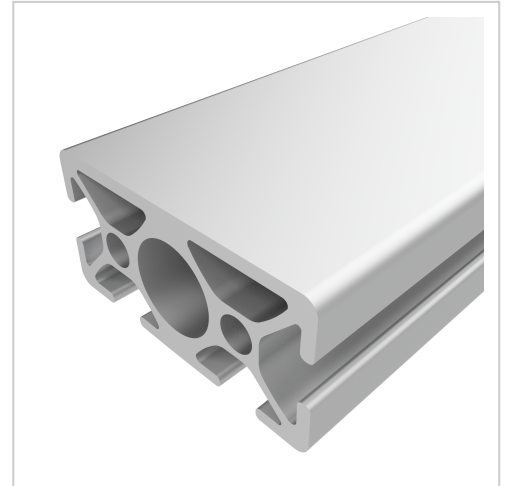


Profile 830 60x30 2N, natural | Cut length

Profil 830 60x30 2N, natur kaufen Jetzt sparen in unserem Onlineshop !

Product number PI-2030 SZ

Weight 1.926kg



Product description

Profiles 8-30 are particularly suitable for weight-optimised assemblies. The grooves and the core holes of profiles 8 are designed for M8 screws.

Cut to size max. 6000 mm

Product properties

Compatible with	item
Nutauszugskraft	F=500 N
Breite Profil	60 mm
Höhe Profil	30 mm
Groove shape	1 side closed
Profile length	Cut length
Delivery unit	Cuts
Size	60x30 mm
Contour	Rectangular
Colour	natural
Series	Series 8 30
Execution	heavy

More images

