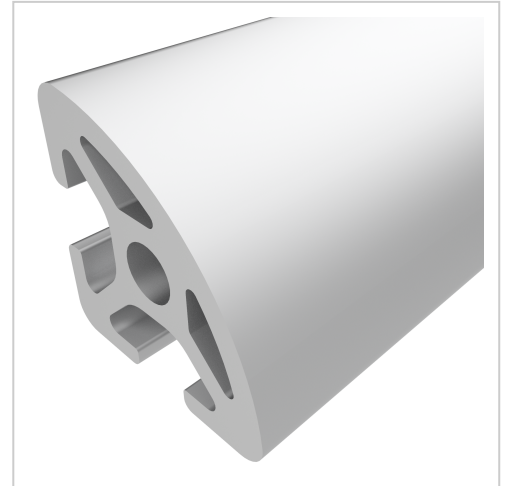


## Profile 5 R20-90°, natural | Cut length

Profil 5 R20-90°, natur kaufen ☐ - 0.0.425.43 kompatibel mit Aluprofilen.  
Jetzt sparen in unserem Onlineshop ☐ !

**Product number** PI-4110 SZ

**Weight** 0.474kg



### Product description

The compact design of Profiles 5 makes them particularly suitable for small and weight-optimised assemblies. The grooves and core holes of Profiles 5 are designed for M5 screws.

Cut to size max. 6000 mm

### Product properties

<b>Material</b>	Al Mg Si 0.5 F25, artificially aged
<b>Anodised</b>	E6EV1 10-15 µm silver
<b>Tolerances</b>	EN 12020-2
<b>Compatible with</b>	item
<b>Profile length</b>	Cut length
<b>Delivery unit</b>	Cuts
<b>Contour</b>	Round
<b>Series</b>	Series 5
<b>Size</b>	20x20 mm
<b>Colour</b>	natural
<b>Execution</b>	heavy
<b>Groove shape</b>	Radius profiles

More images

