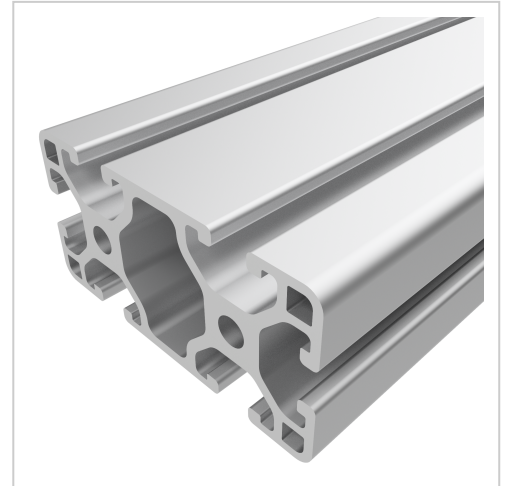


Profile 6 60x30 light, natural | Cut length

Profil 6 60x30 leicht, natur kaufen ☐ - 0.0.419.07 kompatibel mit Aluprofilen. Jetzt sparen in unserem Onlineshop ☐ !

Product number PI-3070 SZ

Weight 1.567kg



Product description

Profiles 6 are particularly suitable for weight-optimised assemblies. The grooves and the core holes of profiles 6 are designed for M6 screws.

Cut to size max. 6000 mm

Product properties

Material	Al Mg Si 0.5 F25, artificially aged
Anodised	E6EV1 10-15 µm silver
Tolerances	EN 12020-2
Compatible with	item
Breite Profil	60 mm
Höhe Profil	30 mm
Series	Series 6
Groove shape	Open grooves
Profile length	Cut length
Delivery unit	Cuts
Execution	light
Size	60x30 mm
Contour	Rectangular
Colour	natural

More images

