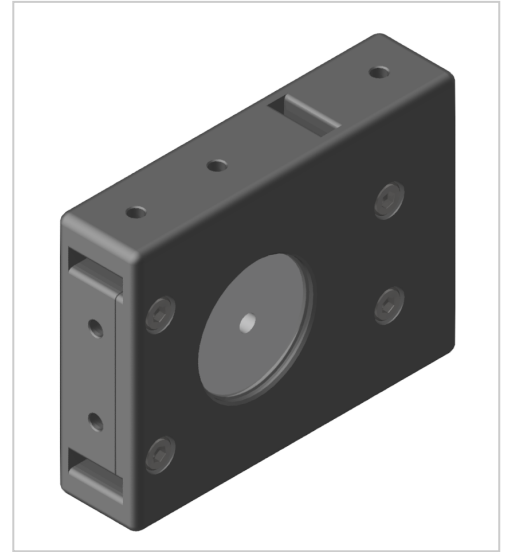


# Timing-Belt Reverse Unit 8 80 R25 with Bore

Zahnriemenumlenkung 8 80 R25 mit Bohrung kaufen ☐ - 0.0.366.07 kompatibel mit Aluprofilen. Jetzt sparen in unserem Onlineshop ☐ !

**Product number** ZI-1614

**Weight** 0.036kg



## Product description

For creating highly dynamic linear drives with toothed belt drive.

## Product properties

<b>Compatible with</b>	item
<b>Part type</b>	Roller guides
<b>Colour</b>	black
<b>Series</b>	Series 8
<b>Diameter mm</b>	Ø 14

## More images

