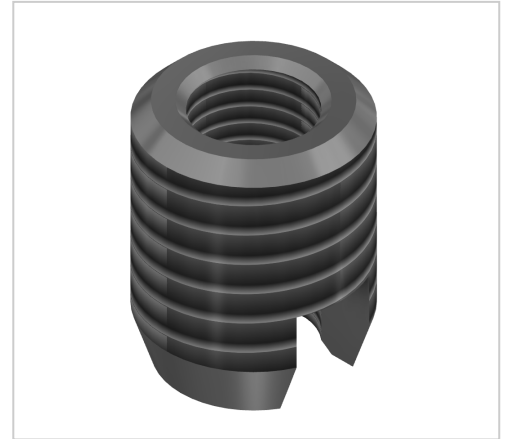


Ensath threaded insert S12/M8, zinc-plated-10

Gewindeinsatz S12/M8, verzinkt-10 kaufen Jetzt sparen in unserem Onlineshop !

Product number NB-3062

Weight 0.004kg



Product description

Thread inserts are used to use a larger core hole for a smaller thread.

Product properties

Compatible with Bosch

Part type Threaded inserts

Series Series 60-10, Series 45-10, Series 50-10, Series 40-10

Thread M8

Material Galvanized steel

More images

