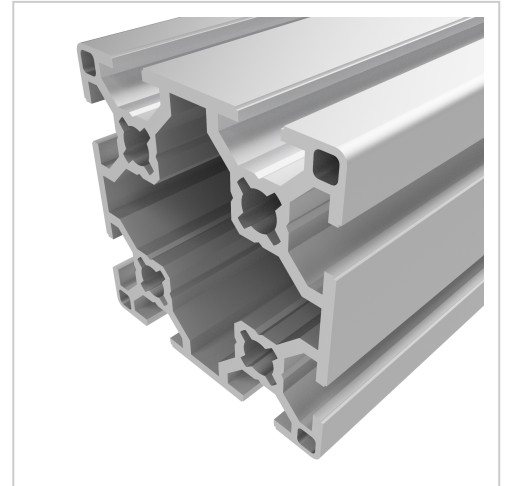


# Profile 60x60 light natural-8 | Cut length

Strebenprofil 60x60 kaufen ☐ - 3 842 993 033 kompatibel mit Bosch-Geräten. Jetzt sparen in unserem Onlineshop ☐ !

**Product number** PB-1885 SZ

**Weight** 2.58kg



## Product description

Profiles 8 are particularly suitable for weight-optimised assemblies. The grooves and the core holes of profiles 8 are designed for M8 screws.

Cut to size max. 6000 mm

## Product properties

<b>Material</b>	Al Mg Si 0.5 F25, artificially aged
<b>Anodised</b>	E6EV1 10-15 µm silver
<b>Tolerances</b>	EN 12020-2
<b>Compatible with</b>	Bosch
<b>Nutauszugskraft</b>	F=4.000 N
<b>Groove shape</b>	Open grooves
<b>Size</b>	60x60 mm
<b>Profile length</b>	Cut length
<b>Modular dimension</b>	Modular dimension 30
<b>Contour</b>	Square
<b>Delivery unit</b>	Cuts
<b>Execution</b>	light
<b>Colour</b>	natural
<b>Series</b>	Series 30 8

## More images

